

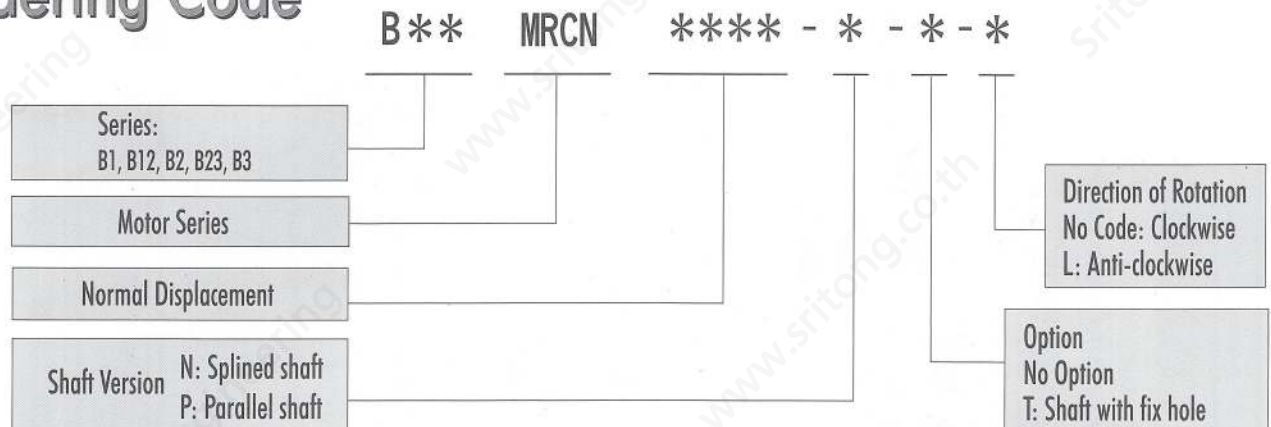
MRCN Series Specifications

Type	Displacement (cc/rev)	Specific torque (Nm/bar)	Max. input pressure (bar)			Max. Pressure Difference (Intermittent)	Max. Case Pressure (bar)	Max. Speed (rpm)	Max. Power (kw)	Weight (kg)
			Continuous	Intermittent	Peak					
B1-MRCN200	199	3.2	210	250	300	210	5	450	27	40
B1-MRCN250	249	4.0	210	250	300	210	5	425	33	40
B1-MRCN300	299	4.8	210	250	300	210	5	403	38	40
B1-MRCN350	349	5.6	210	250	300	210	5	384	42	40
B1-MRCN400	382	6.1	210	250	300	210	5	350	42	42
B12-MRCN400	382	6.1	210	250	300	210	5	350	42	42
B2-MRCN400	410	6.5	210	250	300	210	5	470	61	72
B2-MRCN450	452	7.2	210	250	300	210	5	450	64	72
B2-MRCN500	495	7.9	210	250	300	210	5	430	67	72
B2-MRCN600	594	9.5	210	250	300	210	5	410	77	72
B2-MRCN700	693	11.0	210	250	300	210	5	390	85	72
B2-MRCN800	792	12.6	210	250	300	210	5	350	87	72
B23-MRCN800	792	12.6	210	250	300	210	5	350	87	74
B3-MRCN850	855	13.6	210	250	300	210	5	320	86	94
B3-MRCN900	896	14.3	210	250	300	210	5	320	90	94
B3-MRCN1000	998	15.9	210	250	300	210	5	290	91	94
B3-MRCN1100	1099	17.5	210	250	300	210	5	270	93	94
B3-MRCN1200	1201	19.1	210	250	300	210	5	250	95	94
B3-MRCN1250	1241	19.8	210	250	300	210	5	240	94	94

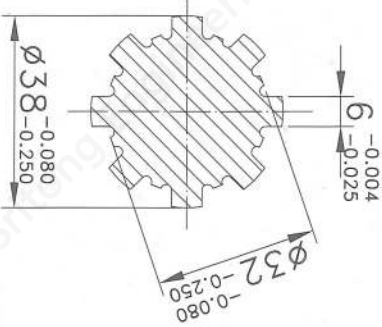
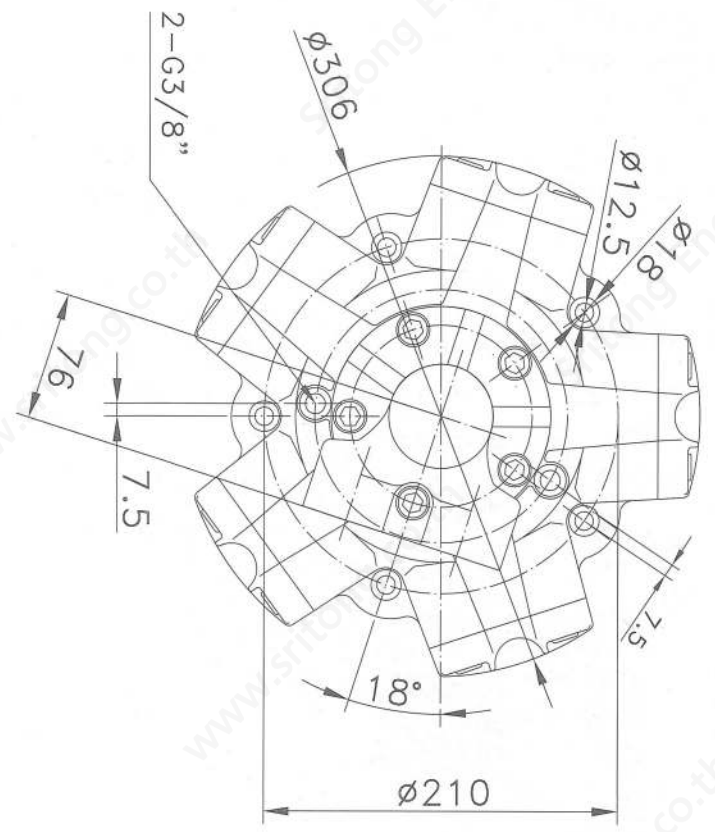
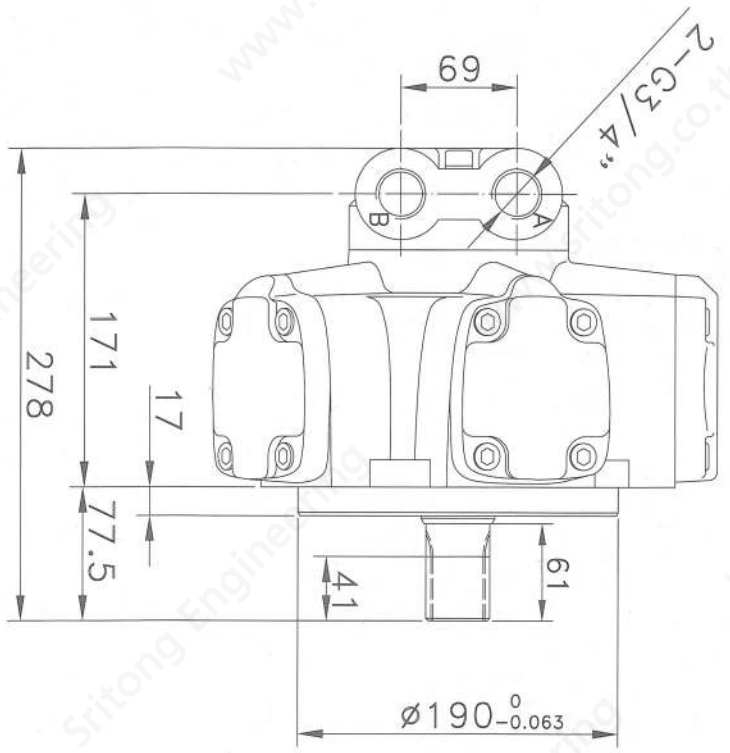
* The max. continue power is obtained at max. speed and continue pressure.

Note: For technical data regarding different motor versions, please contact us!

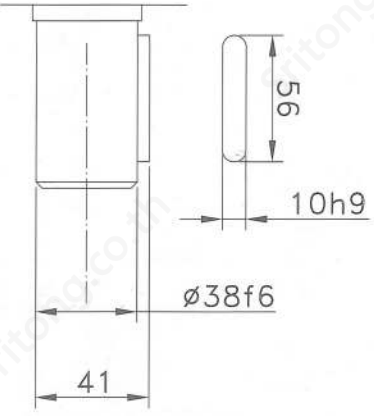
Ordering Code



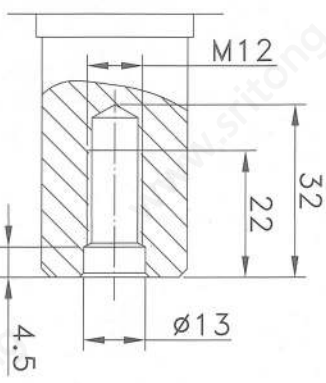
MRCN Series



SPLINED SHAFT



PARALLEL SHAFT (P)



FIX HOLE (OPTION)

Overall Dimension

B1-MRCN 200, 250
300, 350, 400

MAXMA®
Maxma Fluid Power Inc.

Website: www.maxma.com.tw
Email: maxma@maxma.com.tw