

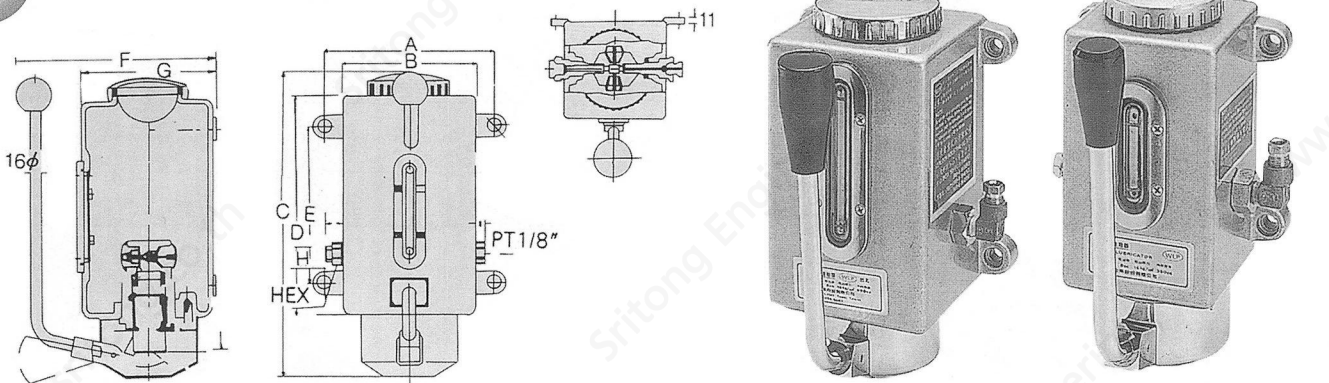
Instructions of Operation and Installations :

- To install, fix the while oil tank onto the unit with screws.
- Piping, Outlet of the pipe associated with the pump is 4 or 6mm in diameter, while can be connected to Alumium pipe, Copper pipes or Nylon pipes of like diameter specifications.
- Turn on the power source, fill the oil tank full with lubricant, turn on the ON/OFF switch, effect adjustment, set both the drive and intermittent buttons to the start-up position, fill the oil in full, in each oiler hole, then adjust to the operation time as well as the intermiting on feeding time as required, where upon the Automatic Control box will start operation exactly as such.
- Rotation of 3 phase motor should be consistent with arrow direction failing that the oil would not be out and you should check whether power connection is right when this should happen.
- Ambient temperature to the unit in service is preferably between - 20°C to 70°C.
- Lubricant, please use clean and new lubricant.

| TYPE | Output | Tank Vol. | Discharge Pressure | Voltage | Hz | Outlet Dia. | RPM | Amp | Motor | w.t / kg |
|----------|-----------|-----------|------------------------|--------------|----------|-------------|-----------|------------|---------|----------|
| MIC-200 | 400cc/min | 4000cc | 0-15kg/cm ² | 110V or 220V | 50/60 Hz | 4ø or 6ø | 1460-1500 | 0.25/0.23A | 25 w | 4.7 |
| MIC-280 | 200cc/min | 2800cc | 0-10kg/cm ² | 110V or 220V | 50/60 Hz | 4ø or 6ø | 1460-1500 | 0.16/0.14A | 15 w | 3.9 |
| MIC-160 | 150cc/min | 2800cc | 0-7kg/cm ² | 110V or 220V | 50/60 Hz | 4ø or 6ø | 1460-1500 | 0.85/0.42A | 50/51 w | 3.4 |
| MIC-160A | 150cc/min | 2800cc | 0-7kg/cm ² | 110V or 220V | 50/60 Hz | 4ø or 6ø | 1460-1500 | 0.85/0.42A | 50/51 w | 3.4 |

9 Lever Lubricator

TYPE:WLA-8, WLA-6



Specifications :

This oil pump utilize an oil feeder operable with a lever, the pump installed in an oil tank with a capacity of 600cc or 350cc to operate the oil pump handle has to be moved about to and for in repetition, the piston feeding out the oil by the compression of a spring, oil amount and pressure depending on the viscosity of the oil, the oil pump fitted with a check valve to prevent return of oil, the oil pump made of special aluminum alloy and taking form through molding skill, through precision processing and high grade painting, outstanding in performance and beautiful in appearance, oil feeder

furnished with two oil outlets, can be assembled with oil pipes which can be nylon or aluminum pipes of 4mmø or 6mmø for use.

The model WLA-8 having a resistance against pressure in excess of 15kg/cm², can be used with larger machines having less than 40 oil feeding sites, such as machines of industries including punch, shearing bed, milling machine, grinding machine, planer composite machines, cutting and shearing machines, weaving machines, knitting.

| TYPE | Output | Discharge Pressure | Tank Vol. | Effective Vol. | w.t / kg |
|-------|-----------------|----------------------|-----------|----------------|----------|
| WLA-8 | 8 c.c./1 stroke | 15kg/cm ² | 600c.c. | 400cc | 1.4 |
| WLA-6 | 6 c.c./1 stroke | 15kg/cm ² | 350c.c. | 250cc | 1.2 |

| 型式 TYPE | A | B | C | D | E | F | G | H | I |
|---------|-----|----|-----|-----|-----|-----|-----|----|----|
| WLA-6 | 85 | 70 | 165 | 118 | 85 | 125 | 70 | 12 | |
| WLA-8 | 100 | 85 | 185 | 139 | 110 | 140 | 184 | 12 | 12 |

10 Manual Lubricator

TYPE:WEA-8 (R.L.)

